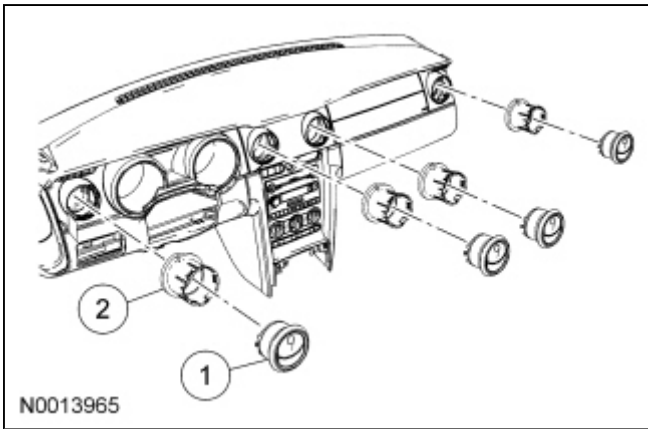


Register — Instrument Panel



Item	Part Number	Description
1	—	Instrument panel register barrel (4 required) (part of 19893)
2	—	Instrument panel register housing (4 required) (part of 19893)

Removal and Installation

1. Pull and remove the instrument panel register barrel.
2. Release the tabs and remove the instrument panel register housing.
3. To install, reverse the removal procedure.